



Volvo V70
(2002-2003)



Wiring Diagrams and Electric Model Year 2003

Abbreviations	3
How to use the wiring diagram	4

Electrical distribution

Overview V70	6
Overview XC90	8

Fuses

Engine compartment 11A/1-8	10
Engine compartment 11B/1-10	11
Engine compartment 11B/11-23	12
Passenger compartment 11C/1-8	13
Passenger compartment 11C/9-13	14
Passenger compartment 11C/14-20	15
Passenger compartment 11C/21-23	16
Passenger compartment 11C/24-28	17
Passenger compartment 11C/29-33	18
Passenger compartment 11C/34-38	19
Cargo compartment 11D/1-7	20
Cargo compartment 11D/8-18	21
Cargo compartment 11E/1-7	22

Relays/Shunts

Ignition switch and relays	23
Engine compartment FMA2 - FST3	24
Passenger compartment CMA2 - CSH4	25
Cargo compartment RMA1 - RSH6	26
Other relays	27

Ground connections

31/1 - 31/44	28
31/47 - 31/72	29
31/73 - 31/84	30
31/88 - 31/93	31
31/93 cont. - 31/96	32
31/98	33

Control modules

Overview V70/XC70	34
Overview XC90	36
Central Electronic Module (CEM) V70/XC70	38
Central Electronic Module (CEM) XC90	40
Rear Electronic Module (REM) V70/XC70	42
Rear Electronic Module (REM) XC90	44
Data communication V70/XC70	46
Data communication XC90	48

Group 23

Engine management system, 5-cyl	50
Engine management system, 5-cyl Turbo	52
Engine management system, 6-cyl	54
Engine management system, Bifuel	56
Engine management system, Diesel	58
Emission control	60

Group 26

Electric cooling fan V70/XC70	62
Electric cooling fan XC90	63

Group 27

Cruise control	64
----------------------	----

Group 32

Power supply	65
--------------------	----

Group 33

Starting system	66
-----------------------	----

Group 35

Main and dipped beam plus auxiliary light wiring V70/XC70	67
Main and dipped beam, Bi-Xenon V70/XC70	68
Main and dipped beam XC90	69
Daytime running lights and auxiliary light wiring XC90	69
Fog lights	70
Brake lights	71
Parking lights V70/XC70	72
Tail lights and numberplate lighting V70/XC70	72
Parking lights XC90	73
Tail lights and numberplate lighting XC90	73
Reversing lights	74
Safety lighting	75
Interior lighting V70/XC70	76
Interior lighting XC90	77
Beam length adjustment V70/XC70	78
Beam length adjustment XC90	79

Group 36

Direction indicators and hazard warning flashers V70/XC70	80
Direction indicators and hazard warning flashers XC90	81
Horn	82
Wipers/washers, windscreen	83
Wipers/washers, headlights V70/XC70	84
High pressure wash, headlights XC90	85
Wiper/washer, rear window	86
Accessory Electronic Module (AEM)	87
Rain sensor	88
Electronic immobilizer	89
Anti-theft alarm V70/XC70	90
Anti-theft alarm XC90	91
Parking assistance XC90	92

Group 37

Towing bracket wiring	93
Diagnostics system	94
12V socket	95
12V cargo compartment socket	96

Group 38

Seat belt reminder	97
Driver information module	98
Driver information module Bifuel	99

Group 39

Audio with extra amplifier V70/XC70	100
Audio without extra amplifier V70/XC70	102
Audio XC90	103

Order number TP 3964032

Replaces previous manual TP 3964031

Infotainment XC90.....	104
Road Traffic Information RTI V70/XC70	105
Mobile telephone V70/XC70	106
Group 43	
Geartronic	107
Automatic transmission, AW55-50SN/ AW50AWD	108
Automatic transmission, 4T65AWD	109
Shift lock	110
Differential Electronic Module (DEM)	111
Group 59	
Brake Control Module (BCM)	112
Group 64	
Electronic power steering XC90	113
Group 83	
Central locking system V70/XC70	114
Central locking system XC90	115
Power windows	116
Group 83	
Power sunroof.....	117
Group 84	
Power door mirrors	118
Heated door mirrors	119
Heated rear window	120
Group 85	
Heated seats.....	121
Power driver's seat	122
Power passenger seat	123
Group 87	
Manual climate control (MCC)	124
Electronic climate control (ECC)	125

Rear climate control system XC90.....	126
Parking heater, auxiliary heater	127

Group 88

SRS Supplemental Restraint System V70/XC70	128
SRS Supplemental Restraint System XC90.....	129
Remote garage door opener.....	130

Connectors..... 131

Junction points..... 154

Cable harness routing in vehicle

Engine harness Petrol	166
Engine harness Diesel.....	167
Front engine compartment harness LHD.....	168
Front engine compartment harness RHD	169
Engine compartment harness, XC90.....	170
Front passenger compartment harness LHD.....	171
Front passenger compartment harness RHD	172
Passenger compartment harness XC90.....	173
Rear passenger compartment harness	174
Cargo compartment harness	174
Cargo compartment harness XC90.....	175
Inflatable curtain harness V70	176
Tailgate harness V70.....	176
Tailgate harness XC90.....	177
Roof harness XC90	178
Harness, doors V70.....	179
Front door harness XC90.....	180
Rear door harness XC90.....	181
Bifuel harness.....	182

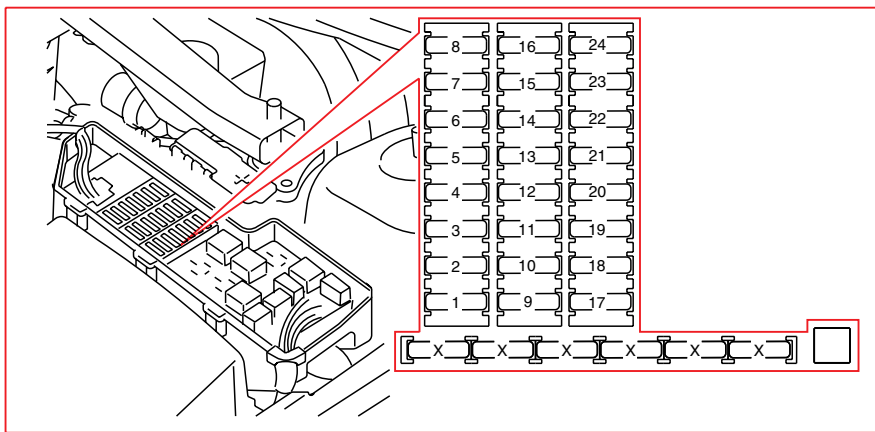
Component illustrations..... 183

Contents..... 239

List of components

Fuses

Engine compartment 11B/11-23

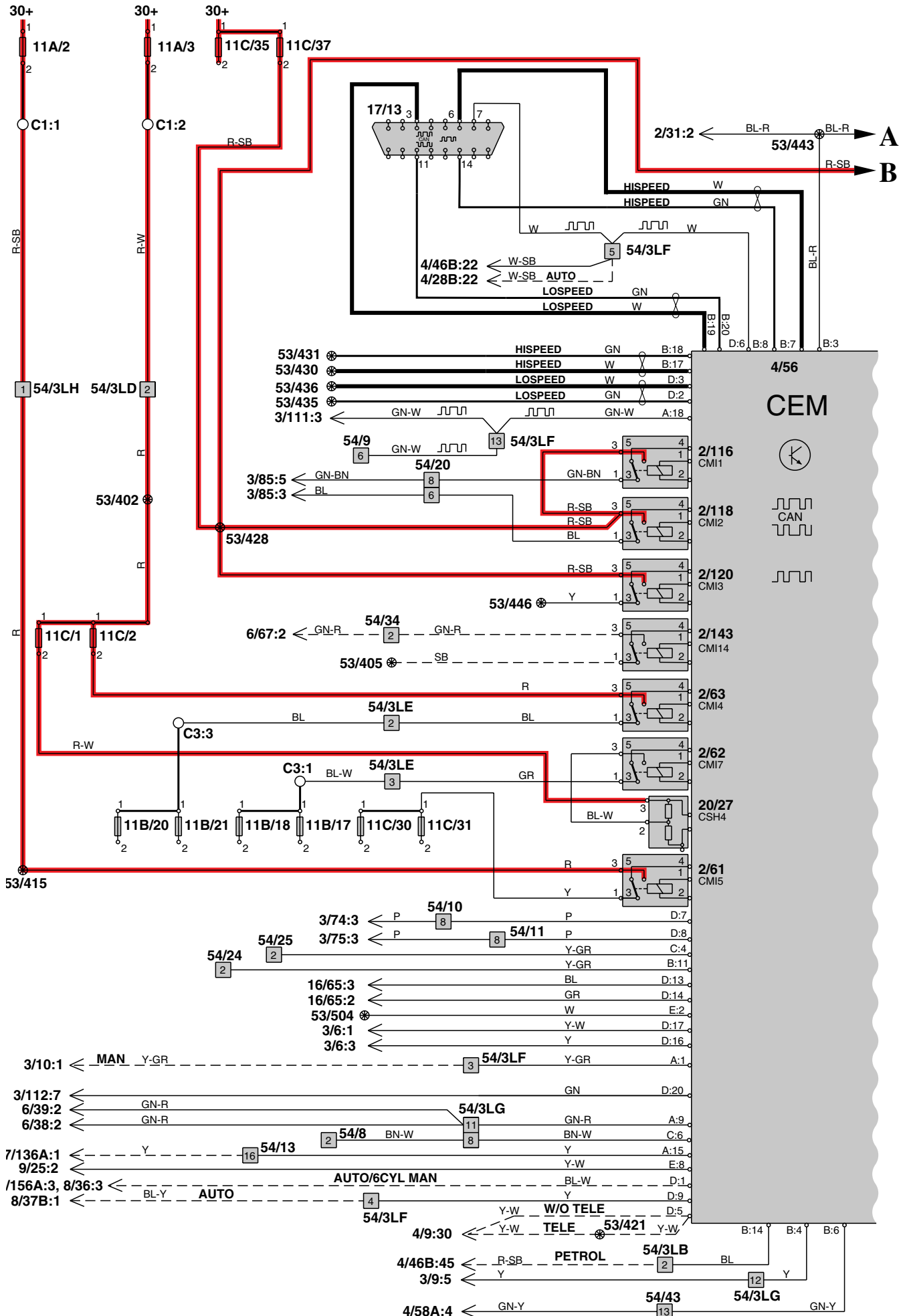


11B Fuses in the engine compartment

No.	Fuse function	via	A
11	2/14 Relay, glow plug unit 2/22 Relay, climate control system 8/17 EGR valve 8/64 Solenoid valve, engine mounting 8/82 Solenoid, variable turbo geometry 9/32 PTC resistor, air preheating, Diesel 20/3-8 Spark plug and ignition coil		20
12	3/9 Brake light contact		5
13	2/90 Relay, windscreen wiper, low/high speed 2/91 Relay, intermittent wiping 6/1 Windscreen wiper motor	2/90, 2/91	25
14	4/16 Control module, brakes BCM		30
15	8/79 LPG valve, V70 2/33 Fuel system relay, V70 2/33 High pressure wash relay, XC90 6/104 High pressure wash, headlights, XC90	2/33	15 25
16	2/92 Relay, windscreen washer motor 6/2 Windscreen washer pump 6/3 Right-hand headlight wiper motor, V70 6/4 Left-hand headlight wiper motor, V70	2/92	15
17	10/66 Right-hand dipped beam Bi-Xenon, right		10
18	10/70 Left-hand dipped beam Bi-Xenon, left		10
19	4/16 Control module, brakes BCM		30
20	10/68 Left-hand main beam		15
21	10/64 Right-hand main beam		15
22	6/25 Starter motor	2/35	25
23	2/32 Main relay, engine management system 4/46 Engine Control Module (ECM), Petrol		5

Control modules

Central Electronic Module (CEM) V70/XC70



Cable harness routing in vehicle

Engine harness Petrol

